



Offsite Management Systems LLC

Consultant and Automation Solutions Provider
for Refinery Offsite Operations
*Redefining Excellence...*TM



Free Professional Webinar [REGISTER NOW](#)



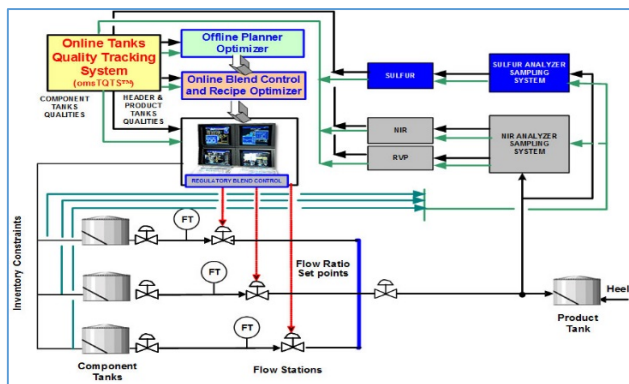
Applications of linear and Non-linear Programming in the Refining Industry

When: August 20, 2015

Time: 10 -11 AM CST (Houston, USA)

Free Webinar but seats are limited.

[Register Now](#)



Refining industry uses linear/non-linear programming principles and technology to implement many control and optimization systems. They could be for a distillation tower, crude blending, fuels blending, planning and scheduling, product distribution, etc. just to name applications. This free webinar would discuss and illustrate the mathematics behind few LP/NLP applications and demonstrate their implementation using commercial software.

What you will learn:

- Principles and mathematics of linear/non-linear programming applications in the refining industry.
- How to solve few LP problems such as crude blending, distillation tower and fuels blending using commercial software



Webinar Director:

Dr. Suresh Agrawal

President, Offsite Management Systems LLC

Dr. Agrawal has advanced degrees in Chemical Engineering from I.I.T's (India, USA). He has 30+ years of experience at senior technical / management positions with international companies and has successfully managed and executed many advanced refinery offsite operation automation projects in numerous countries. He has published and presented 30+ papers in international publications and conferences in the areas of refinery offsite operations automation. He has also acted as a consultant to a number of refining and process industries worldwide, and delivers training seminars in the areas of his expertise.

Who Should Attend:

The webinar is aimed at and is suitable for:

- Offsite Operations Managers
- Offsite Engineers / Operators
- Control System Engineers



If you will like to review webinars in detail, please [click here](#).

Phone: 281-650-3707, Fax: 866-450-4035, Email: info@globaloms.com

[Register Now](#)

This promotional e-mail was sent to you because of your professional involvement and interest in the Oil & Gas refining Industry.

Copyright 2006-2014 Offsite Management Systems LLC

To unsubscribe from further course emails from OMS LLC, please send an [email](#) with subject line as "Unsubscribe"